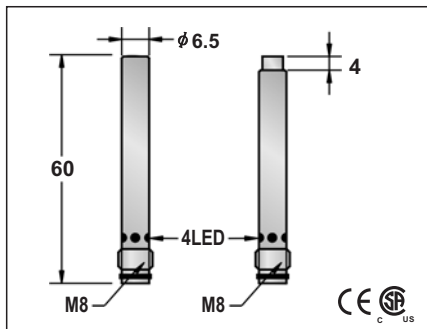


DC INDUCTIVE PROXIMITY SWITCH CONNECTOR TYPE

DC INDUCTIVE PROXIMITY SWITCH
CONNECTOR TYPE

φ 6.5	
●	○
1mm, 1.5mm	2mm, 2.5mm
stainless steel only	
●	

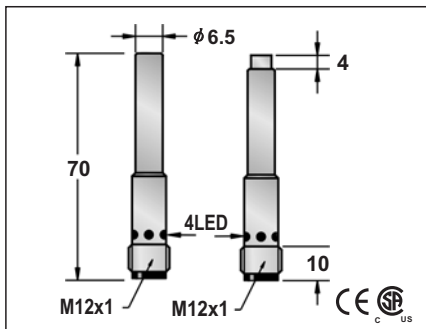


10-30VDC or 5-36VDC	
<10%	
<10mA	
200mA	
<0.01mA	
-	
-	
<1.5V(10-30V) or <1.0V(5-36V)	
2KHZ	
0.1ms/0.1ms	
<15%(Sr)	
<1.0%(Sr)	
IP67	
-25 °C - +70 °C	
<10%(Sr)	
YES	
220mA	
<10ms	
RFI>3V/m / EFT>1KV / ESD>4KV (contact)	
IEC 60947-5-2,Part 7.4.1 / IEC 60947-5-2,Part 7.4.2	
POM	

FCU1-D0601N-ACU3	29	FCU2-D0602N-ACU3
FCU1-D0601N-BCU3	29	FCU2-D0602N-BCU3
FCU1-D0601P-ACU3	30	FCU2-D0602P-ACU3
FCU1-D0601P-BCU3	30	FCU2-D0602P-BCU3
FCU1-D0601P-SCU4	32	FCU2-D0602P-SCU4
FCU1-D0601N-SCU4	31	FCU2-D0602N-SCU4
FCU1-D0601C-ACU3	39	FCU2-D0602C-ACU3
FCU1-D0601C-BCU3	77	FCU2-D0602C-BCU3
ICU1-D061.5N-ACU3	29	ICU2-D062.5N-ACU3
ICU1-D061.5N-BCU3	29	ICU2-D062.5N-BCU3
ICU1-D061.5P-ACU3	30	ICU2-D062.5P-ACU3
ICU1-D061.5P-BCU3	30	ICU2-D062.5P-BCU3
ICU1-D061.5P-SCU4	32	ICU2-D062.5P-SCU4
ICU1-D061.5N-SCU4	31	ICU2-D062.5N-SCU4

5-36V: ICU*-*-*-*-* type switching distance Sn=1.5mm (shielded), Sn=2.5mm (non-shielded).	
Approx.17 g	Approx.16 g

φ 6.5	
●	○
1mm, 1.5mm	2mm, 2.5mm
stainless steel only	
●	

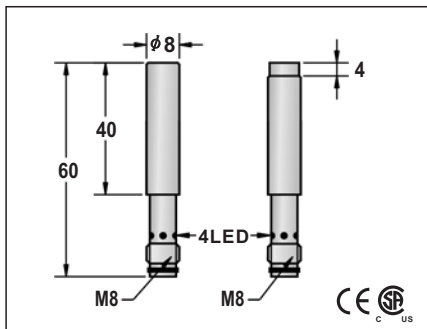


10-30VDC or 5-36VDC	
<10%	
<10mA	
200mA	
<0.01mA	
-	
-	
<1.5V(10-30V) or <1.0V(5-36V)	
2KHZ	
0.1ms/0.1ms	
<15%(Sr)	
<1.0%(Sr)	
IP67	
-25 °C - +70 °C	
<10%(Sr)	
YES	
220mA	
<10ms	
RFI>3V/m / EFT>1KV / ESD>4KV (contact)	
IEC 60947-5-2,Part 7.4.1 / IEC 60947-5-2,Part 7.4.2	
POM	

FCU1-D0601N-ARU4	33	FCU2-D0602N-ARU4
FCU1-D0601N-BRU4	34	FCU2-D0602N-BRU4
FCU1-D0601P-ARU4	35	FCU2-D0602P-ARU4
FCU1-D0601P-BRU4	36	FCU2-D0602P-BRU4
FCU1-D0601P-SRU4	38	FCU2-D0602P-SRU4
FCU1-D0601N-SRU4	37	FCU2-D0602N-SRU4
FCU1-D0601C-ARU4	40	FCU2-D0602C-ARU4
FCU1-D0601C-BRU4	78	FCU2-D0602C-BRU4
ICU1-D061.5N-ARU4	33	ICU2-D062.5N-ARU4
ICU1-D061.5N-BRU4	34	ICU2-D062.5N-BRU4
ICU1-D061.5P-ARU4	35	ICU2-D062.5P-ARU4
ICU1-D061.5P-BRU4	36	ICU2-D062.5P-BRU4
ICU1-D061.5P-SRU4	38	ICU2-D062.5P-SRU4
ICU1-D061.5N-SRU4	37	ICU2-D062.5N-SRU4

1. 5-36V: ICU*-*-*-*-* type switching distance Sn=1.5mm (shielded), Sn=2.5mm (non-shielded). 2. Please see Page 18 for details and specifications of DC 2-Wire models on this page.	
approx.25 g	

φ 8	
●	○
1mm, 1.5mm	2mm, 2.5mm
stainless steel only	
●	



10-30VDC or 5-36VDC	
<10%	
<10mA	
200mA	
<0.01mA	
-	
-	
<1.5V(10-30V) or <1.0V(5-36V)	
2KHZ	
0.1ms/0.1ms	
<15%(Sr)	
<1.0%(Sr)	
IP67	
-25 °C - +70 °C	
<10%(Sr)	
YES	
220mA	
<10ms	
RFI>3V/m / EFT>1KV / ESD>4KV (contact)	
IEC 60947-5-2,Part 7.4.1 / IEC 60947-5-2,Part 7.4.2	
POM	

FCU1-D0801N-ACU3	29	FCU2-D0802N-ACU3
FCU1-D0801N-BCU3	29	FCU2-D0802N-BCU3
FCU1-D0801P-ACU3	30	FCU2-D0802P-ACU3
FCU1-D0801P-BCU3	30	FCU2-D0802P-BCU3
FCU1-D0801P-SCU4	32	FCU2-D0802P-SCU4
FCU1-D0801N-SCU4	31	FCU2-D0802N-SCU4
FCU1-D0801C-ACU3	39	FCU2-D0802C-ACU3
FCU1-D0801C-BCU3	77	FCU2-D0802C-BCU3
ICU1-D081.5N-ACU3	29	ICU2-D082.5N-ACU3
ICU1-D081.5N-BCU3	29	ICU2-D082.5N-BCU3
ICU1-D081.5P-ACU3	30	ICU2-D082.5P-ACU3
ICU1-D081.5P-BCU3	30	ICU2-D082.5P-BCU3
ICU1-D081.5P-SCU4	32	ICU2-D082.5P-SCU4
ICU1-D081.5N-SCU4	31	ICU2-D082.5N-SCU4

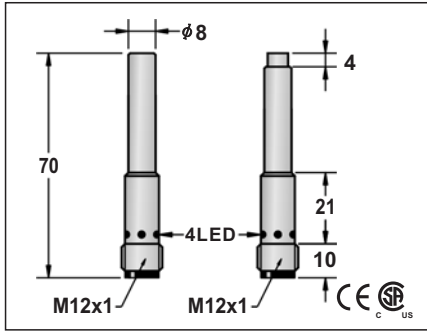
5-36V: ICU*-*-*-*-* type switching distance Sn=1.5mm (shielded), Sn=2.5mm (non-shielded).	
Approx.15 g	

Note:
Coming Soon : Part numbers with underline

DC INDUCTIVE PROXIMITY SWITCH CONNECTOR TYPE

DC INDUCTIVE PROXIMITY SWITCH CONNECTOR TYPE

∅8	
●	○
1mm, 1.5mm	2mm, 2.5mm
stainless steel or niated brass	
●	



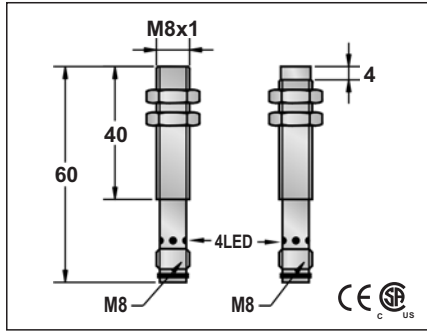
10-30VDC or 5-36VDC
<10%
<10mA
200mA
<0.01mA
-
-
<1.5V(10-30V) or <1.0V(5-36V)
2KHZ
0.1ms/0.1ms
<15%(Sr)
<1.0%(Sr)
IP67
-25 °C - +70 °C
<10%(Sr)
YES
220mA
<10ms
RFI>3V/m / EFT>1KV / ESD>4KV (contact)
IEC 60947-5-2,Part 7.4.1 / IEC 60947-5-2,Part 7.4.2
POM

FCM1-D0801N-ARU4	33	FCM2-D0802N-ARU4
FCM1-D0801N-BRU4	34	FCM2-D0802N-BRU4
FCM1-D0801P-ARU4	35	FCM2-D0802P-ARU4
FCM1-D0801P-BRU4	36	FCM2-D0802P-BRU4
FCM1-D0801P-SRU4	38	FCM2-D0802P-SRU4
FCM1-D0801N-SRU4	37	FCM2-D0802N-SRU4
FCM1-D0801C-ARU4	40	FCM2-D0802C-ARU4
FCM1-D0801C-BRU4	78	FCM2-D0802C-BRU4
ICM1-D081.5N-ARU4	33	ICM2-D082.5N-ARU4
ICM1-D081.5N-BRU4	34	ICM2-D082.5N-BRU4
ICM1-D081.5P-ARU4	35	ICM2-D082.5P-ARU4
ICM1-D081.5P-BRU4	36	ICM2-D082.5P-BRU4
ICM1-D081.5P-SRU4	38	ICM2-D082.5P-SRU4
ICM1-D081.5N-SRU4	37	ICM2-D082.5N-SRU4

5-36V: switching distance Sn=1.5mm
(shielded),Sn=2.5mm (non-shielded).

Approx.28 g

M 8	
●	○
1mm, 1.5mm	2mm, 2.5mm
stainless steel only	
●	



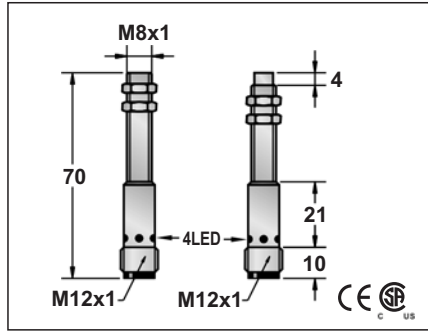
10-30VDC or 5-36VDC
<10%
<10mA
200mA
<0.01mA
-
-
<1.5V(10-30V) or <1.0V(5-36V)
2KHZ
0.1ms/0.1ms
<15%(Sr)
<1.0%(Sr)
IP67
-25 °C - +70 °C
<10%(Sr)
YES
220mA
<10ms
RFI>3V/m / EFT>1KV / ESD>4KV (contact)
IEC 60947-5-2,Part 7.4.1 / IEC 60947-5-2,Part 7.4.2
POM

FCU1-0801N-ACU3	29	FCU2-0802N-ACU3
FCU1-0801N-BCU3	29	FCU2-0802N-BCU3
FCU1-0801P-ACU3	30	FCU2-0802P-ACU3
FCU1-0801P-BCU3	30	FCU2-0802P-BCU3
FCU1-0801P-SCU4	32	FCU2-0802P-SCU4
FCU1-0801N-SCU4	31	FCU2-0802N-SCU4
FCU1-0801C-ACU3	39	FCU2-0802C-ACU3
FCU1-0801C-BCU3	77	FCU2-0802C-BCU3
ICU1-081.5N-ACU3	29	ICU2-082.5N-ACU3
ICU1-081.5N-BCU3	29	ICU2-082.5N-BCU3
ICU1-081.5P-ACU3	30	ICU2-082.5P-ACU3
ICU1-081.5P-BCU3	30	ICU2-082.5P-BCU3
ICU1-081.5P-SCU4	32	ICU2-082.5P-SCU4
ICU1-081.5N-SCU4	31	ICU2-082.5N-SCU4

- 5-36V: switching distance Sn=1.5mm (shielded),Sn=2.5mm (non-shielded).
- Please see Page 18 for details and specifications of DC 2-Wire models on this page.

Approx.15 g

M 8	
●	○
1mm, 1.5mm	2mm, 2.5mm
stainless steel or nickel plated brass	
●	



10-30VDC or 5-36VDC
<10%
<10mA
200mA
<0.01mA
-
-
<1.5V(10-30V) or <1.0V(5-36V)
2KHZ
0.1ms/0.1ms
<15%(Sr)
<1.0%(Sr)
IP67
-25 °C - +70 °C
<10%(Sr)
YES
220mA
<10ms
RFI>3V/m / EFT>1KV / ESD>4KV (contact)
IEC 60947-5-2,Part 7.4.1 / IEC 60947-5-2,Part 7.4.2
POM

FCM1-0801N-ARU4	33	FCM2-0802N-ARU4
FCM1-0801N-BRU4	34	FCM2-0802N-BRU4
FCM1-0801P-ARU4	35	FCM2-0802P-ARU4
FCM1-0801P-BRU4	36	FCM2-0802P-BRU4
FCM1-0801P-SRU4	38	FCM2-0802P-SRU4
FCM1-0801N-SRU4	37	FCM2-0802N-SRU4
FCM1-0801C-ARU4	40	FCM2-0802C-ARU4
FCM1-0801C-BRU4	78	FCM2-0802C-BRU4
ICM1-081.5N-ARU4	33	ICM2-082.5N-ARU4
ICM1-081.5N-BRU4	34	ICM2-082.5N-BRU4
ICM1-081.5P-ARU4	35	ICM2-082.5P-ARU4
ICM1-081.5P-BRU4	36	ICM2-082.5P-BRU4
ICM1-081.5P-SRU4	38	ICM2-082.5P-SRU4
ICM1-081.5N-SRU4	37	ICM2-082.5N-SRU4

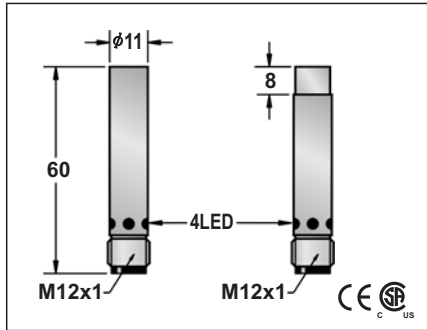
5-36V: switching distance Sn=1.5mm
(shielded),Sn=2.5mm (non-shielded).

Approx.22 g

Note:
Coming Soon : Part numbers with underline

DC INDUCTIVE PROXIMITY SWITCH CONNECTOR TYPE

φ11	
●	○
2 mm	4 mm
stainless steel or nickel plated brass	
●	

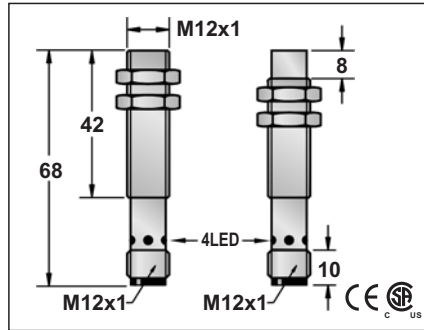


10-30VDC or 5-36VDC or 10-55VDC	
<10%	
<10mA	<20mA
200mA	
<0.01mA	
-	
-	
<1.5V or <1.0V or <2.0V	
2KHZ	1KHZ
0.1ms/0.1ms	0.2ms/0.2ms
<15%(Sr)	
<1.0%(Sr)	
IP67	
-25 °C - +70 °C	
<10%(Sr)	
YES	
220mA	
<10ms	
RFI>3V/m / EFT>1KV / ESD>4KV (contact)	
IEC 60947-5-2,Part 7.4.1 / IEC 60947-5-2,Part 7.4.2	
POM	

FCM1-D1102N-ARU4	33	FCM2-D1104N-ARU4
FCM1-D1102N-BRU4	34	FCM2-D1104N-BRU4
FCM1-D1102P-ARU4	35	FCM2-D1104P-ARU4
FCM1-D1102P-BRU4	36	FCM2-D1104P-BRU4
FCM1-D1102P-SRU4	38	FCM2-D1104P-SRU4
FCM1-D1102N-SRU4	37	FCM2-D1104N-SRU4
FCM1-D1102C-ARU4	40	FCM2-D1104C-ARU4
FCM1-D1102C-BRU4	78	FCM2-D1104C-BRU4
HCM1-D1102N-ARU4	33	HCM2-D1104N-ARU4
HCM1-D1102N-BRU4	34	HCM2-D1104N-BRU4
HCM1-D1102P-ARU4	35	HCM2-D1104P-ARU4
HCM1-D1102P-BRU4	36	HCM2-D1104P-BRU4
ICM1-D1102N-ARU4	33	ICM2-D1104N-ARU4
ICM1-D1102N-BRU4	34	ICM2-D1104N-BRU4
ICM1-D1102P-ARU4	35	ICM2-D1104P-ARU4
ICM1-D1102P-BRU4	36	ICM2-D1104P-BRU4
ICM1-D1102P-SRU4	38	ICM2-D1104P-SRU4
ICM1-D1102N-SRU4	37	ICM2-D1104N-SRU4

Approx.30 g		Approx.29 g	
-------------	--	-------------	--

M 12	
●	○
2 mm	4 mm
stainless steel or nickel plated brass	
●	



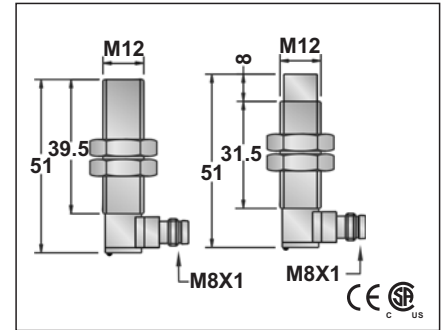
10-30VDC or 5-36VDC or 10-55VDC	
<10%	
<10mA	<20mA
200mA	
<0.01mA	
-	
-	
<1.5V or <1.0V or <2.0V	
2KHZ	1KHZ
0.1ms/0.1ms	0.2ms/0.2ms
<15%(Sr)	
<1.0%(Sr)	
IP67	
-25 °C - +70 °C	
<10%(Sr)	
YES	
220mA	
<10ms	
RFI>3V/m / EFT>1KV / ESD>4KV (contact)	
IEC 60947-5-2,Part 7.4.1 / IEC 60947-5-2,Part 7.4.2	
POM	

FCM1-1202N-ARU4	33	FCM2-1204N-ARU4
FCM1-1202N-BRU4	34	FCM2-1204N-BRU4
FCM1-1202P-ARU4	35	FCM2-1204P-ARU4
FCM1-1202P-BRU4	36	FCM2-1204P-BRU4
FCM1-1202P-SRU4	38	FCM2-1204P-SRU4
FCM1-1202N-SRU4	37	FCM2-1204N-SRU4
FCM1-1202C-ARU4	40	FCM2-1204C-ARU4
FCM1-1202C-BRU4	78	FCM2-1204C-BRU4
HCM1-1202N-ARU4	33	HCM2-1204N-ARU4
HCM1-1202N-BRU4	34	HCM2-1204N-BRU4
HCM1-1202P-ARU4	35	HCM2-1204P-ARU4
HCM1-1202P-BRU4	36	HCM2-1204P-BRU4
ICM1-1202N-ARU4	33	ICM2-1204N-ARU4
ICM1-1202N-BRU4	34	ICM2-1204N-BRU4
ICM1-1202P-ARU4	35	ICM2-1204P-ARU4
ICM1-1202P-BRU4	36	ICM2-1204P-BRU4
ICM1-1202P-SRU4	38	ICM2-1204P-SRU4
ICM1-1202N-SRU4	37	ICM2-1204N-SRU4

Approx.31 g		Approx.30 g	
-------------	--	-------------	--

Please see Page 18 for details and specifications of DC 2-Wire models on this page.

M 12	
●	○
2 mm	4 mm
stainless steel or nickel plated brass	
●	



10-30VDC or 5-36VDC or 10-55VDC	
<10%	
<10mA	<20mA
200mA	
<0.01mA	
-	
-	
<1.5V or <1.0V or <2.0V	
2KHZ	1KHZ
0.1ms/0.1ms	0.2ms/0.2ms
<15%(Sr)	
<1.0%(Sr)	
IP67	
-25 °C - +70 °C	
<10%(Sr)	
YES	
220mA	
<10ms	
RFI>3V/m / EFT>1KV / ESD>4KV (contact)	
IEC 60947-5-2,Part 7.4.1 / IEC 60947-5-2,Part 7.4.2	
POM	

FCM1-1202N-ACU3Y	33	FCM2-1204N-ACU3Y
FCM1-1202N-BCU3Y	34	FCM2-1204N-BCU3Y
FCM1-1202P-ACU3Y	35	FCM2-1204P-ACU3Y
FCM1-1202P-BCU3Y	36	FCM2-1204P-BCU3Y
FCM1-1202P-SCU4Y	38	FCM2-1204P-SCU4Y
FCM1-1202N-SCU4Y	37	FCM2-1204N-SCU4Y
FCM1-1202C-ACU3Y	40	FCM2-1204C-ACU3Y
FCM1-1202C-BCU3Y	78	FCM2-1204C-BCU3Y
HCM1-1202N-ACU3Y	33	HCM2-1204N-ACU3Y
HCM1-1202N-BCU3Y	34	HCM2-1204N-BCU3Y
HCM1-1202P-ACU3Y	35	HCM2-1204P-ACU3Y
HCM1-1202P-BCU3Y	36	HCM2-1204P-BCU3Y
ICM1-1202N-ACU3Y	33	ICM2-1204N-ACU3Y
ICM1-1202N-BCU3Y	34	ICM2-1204N-BCU3Y
ICM1-1202P-ACU3Y	35	ICM2-1204P-ACU3Y
ICM1-1202P-BCU3Y	36	ICM2-1204P-BCU3Y
ICM1-1202P-SCU4Y	38	ICM2-1204P-SCU4Y
ICM1-1202N-SCU4Y	37	ICM2-1204N-SCU4Y

Approx.31 g		Approx.30 g	
-------------	--	-------------	--

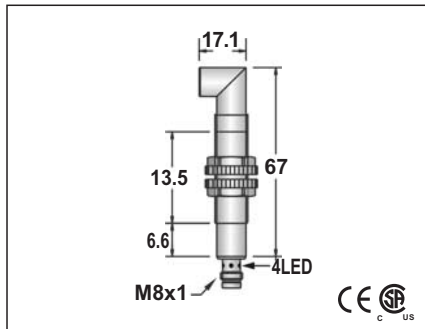
1. Voltage drop:<1.5V(10-30V),<1V(5-36V), <2V(10-55V).
2. 10-55V type: No Load Current < 20mA.

M12、M18

DC INDUCTIVE PROXIMITY SWITCH CONNECTOR TYPE

DC INDUCTIVE PROXIMITY SWITCH CONNECTOR TYPE

M 12	
●	○
2 mm	4 mm
stainless steel or nickel plated brass	
●	

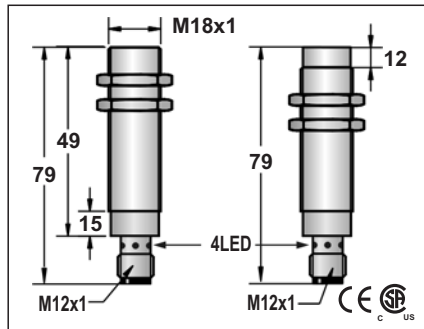


10-30VDC or 5-36VDC or 10-55VDC	
<10%	
<10mA	<20mA
200mA	
<0.01mA	
-	
<1.5V or <1.0V or <2.0V	
2KHZ	1KHZ
0.1ms/0.1ms	0.2ms/0.2ms
<15%(Sr)	
<1.0%(Sr)	
IP67	
-25 °C - +70 °C	
<10%(Sr)	
YES	
220mA	
<10ms	
RFI>3V/m / EFT>1KV / ESD>4KV (contact)	
IEC 60947-5-2, Part 7.4.1 / IEC 60947-5-2, Part 7.4.2	
POM	

FCM1-1202N-ACU3Z	33	FCM2-1204N-ACU3Z
FCM1-1202N-BCU3Z	34	FCM2-1204N-BCU3Z
FCM1-1202P-ACU3Z	35	FCM2-1204P-ACU3Z
FCM1-1202P-BCU3Z	36	FCM2-1204P-BCU3Z
FCM1-1202P-SCU4Z	38	FCM2-1204P-SCU4Z
FCM1-1202N-SCU4Z	37	FCM2-1204N-SCU4Z
FCM1-1202C-ACU3Z	40	FCM2-1204C-ACU3Z
FCM1-1202C-BCU3Z	78	FCM2-1204C-BCU3Z
HCM1-1202N-ACU3Z	33	HCM2-1204N-ACU3Z
HCM1-1202N-BCU3Z	34	HCM2-1204N-BCU3Z
HCM1-1202P-ACU3Z	35	HCM2-1204P-ACU3Z
HCM1-1202P-BCU3Z	36	HCM2-1204P-BCU3Z
ICM1-1202N-ACU3Z	33	ICM2-1204N-ACU3Z
ICM1-1202N-BCU3Z	34	ICM2-1204N-BCU3Z
ICM1-1202P-ACU3Z	35	ICM2-1204P-ACU3Z
ICM1-1202P-BCU3Z	36	ICM2-1204P-BCU3Z
ICM1-1202P-SCU4Z	38	ICM2-1204P-SCU4Z
ICM1-1202N-SCU4Z	37	ICM2-1204N-SCU4Z

Approx.31 g	Approx.30 g
-------------	-------------

M 18	
●	○
5 mm	8 mm
stainless steel or nickel plated brass	
●	



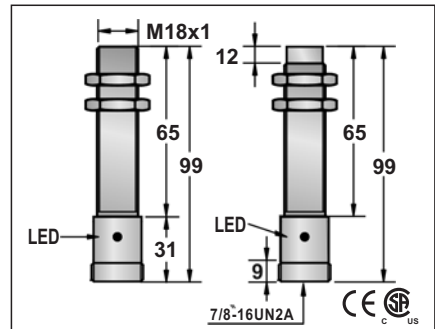
10-30VDC or 5-36VDC or 10-55VDC	
<10%	
<10mA	<20mA
200mA	
<0.01mA	
-	
<1.5V or <1.0V or <2.0V	
1KHZ	500HZ
0.2ms/0.2ms	0.5ms/0.5ms
<15%(Sr)	
<1.0%(Sr)	
IP67	
-25 °C - +70 °C	
<10%(Sr)	
YES	
220mA	
<10ms	
RFI>3V/m / EFT>1KV / ESD>4KV (contact)	
IEC 60947-5-2, Part 7.4.1 / IEC 60947-5-2, Part 7.4.2	
PBT	

FCM1-1805N-ARU4	33	FCM2-1808N-ARU4
FCM1-1805N-BRU4	34	FCM2-1808N-BRU4
FCM1-1805P-ARU4	35	FCM2-1808P-ARU4
FCM1-1805P-BRU4	36	FCM2-1808P-BRU4
FCM1-1805P-SRU4	38	FCM2-1808P-SRU4
FCM1-1805N-SRU4	37	FCM2-1808N-SRU4
FCM1-1805C-ARU4	40	FCM2-1808C-ARU4
FCM1-1805C-BRU4	78	FCM2-1808C-BRU4
HCM1-1805N-ARU4	33	HCM2-1808N-ARU4
HCM1-1805N-BRU4	34	HCM2-1808N-BRU4
HCM1-1805P-ARU4	35	HCM2-1808P-ARU4
HCM1-1805P-BRU4	36	HCM2-1808P-BRU4
ICM1-1805N-ARU4	33	ICM2-1808N-ARU4
ICM1-1805N-BRU4	34	ICM2-1808N-BRU4
ICM1-1805P-ARU4	35	ICM2-1808P-ARU4
ICM1-1805P-BRU4	36	ICM2-1808P-BRU4
ICM1-1805P-SRU4	38	ICM2-1808P-SRU4
ICM1-1805N-SRU4	37	ICM2-1808N-SRU4

Please see Page 18 for details and specifications of DC 2-Wire models on this page.

Approx.94 g	Approx.91 g
-------------	-------------

M 18	
●	○
5 mm	8 mm
stainless steel or nickel plated brass	
●	



10-30VDC or 5-36VDC or 10-55VDC	
<10%	
<10mA	<20mA
200mA	
<0.01mA	
-	
<1.5V or <1.0V or <2.0V	
1KHZ	500HZ
0.2ms/0.2ms	0.5ms/0.5ms
<15%(Sr)	
<1.0%(Sr)	
IP67	
-25 °C - +70 °C	
<10%(Sr)	
YES	
220mA	
<10ms	
RFI>3V/m / EFT>1KV / ESD>4KV (contact)	
IEC 60947-5-2, Part 7.4.1 / IEC 60947-5-2, Part 7.4.2	
PBT	

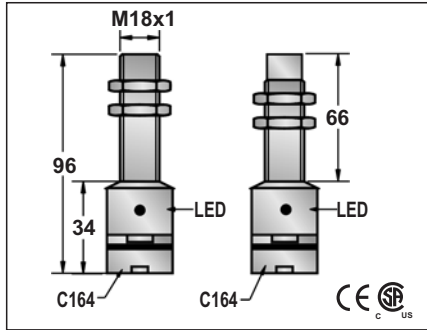
FCM1-1805N-AZU4	41	FCM2-1808N-AZU4
FCM1-1805N-BZU4	42	FCM2-1808N-BZU4
FCM1-1805P-AZU4	43	FCM2-1808P-AZU4
FCM1-1805P-BZU4	44	FCM2-1808P-BZU4
FCM1-1805P-SZU4	46	FCM2-1808P-SZU4
FCM1-1805N-SZU4	45	FCM2-1808N-SZU4
FCM1-1805C-AZU4	47	FCM2-1808C-AZU4
FCM1-1805C-BZU4	79	FCM2-1808C-BZU4
HCM1-1805N-AZU4	41	HCM2-1808N-AZU4
HCM1-1805N-BZU4	42	HCM2-1808N-BZU4
HCM1-1805P-AZU4	43	HCM2-1808P-AZU4
HCM1-1805P-BZU4	44	HCM2-1808P-BZU4
ICM1-1805N-AZU4	31	ICM2-1808N-AZU4
ICM1-1805N-BZU4	32	ICM2-1808N-BZU4
ICM1-1805P-AZU4	43	ICM2-1808P-AZU4
ICM1-1805P-BZU4	44	ICM2-1808P-BZU4
ICM1-1805P-SZU4	46	ICM2-1808P-SZU4
ICM1-1805N-SZU4	45	ICM2-1808N-SZU4

1. Voltage Drop:<1.5V(10-30V),<1V(5-36V), <2V(10-55V).
2. 10-55V type: No Load Current < 20mA.

Approx.94 g	Approx.91 g
-------------	-------------

DC INDUCTIVE PROXIMITY SWITCH CONNECTOR TYPE

M 18	
●	○
5 mm	8 mm
stainless steel or nickel plated brass	
●	

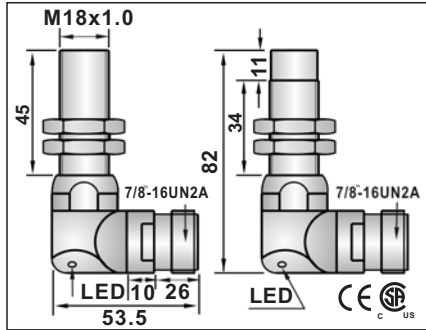


10-30VDC or 5-36VDC or 10-55VDC	
<10%	
<10mA	<20mA
200mA	
<0.01mA	
-	
-	
<1.5V or <1.0V or <2.0V	
1KHZ	500HZ
0.2ms/0.2ms	0.5ms/0.5ms
<15%(Sr)	
<1.0%(Sr)	
IP67	
-25 °C - +70 °C	
<10%(Sr)	
YES	
220mA	
<10ms	
RFI>3V/m / EFT>1KV / ESD>4KV (contact)	
IEC 60947-5-2,Part 7.4.1 / IEC 60947-5-2,Part 7.4.2	
PBT	

FCM1-1805N-AYU5	49	FCM2-1808N-AYU5
FCM1-1805N-BYU5	50	FCM2-1808N-BYU5
FCM1-1805P-AYU5	51	FCM2-1808P-AYU5
FCM1-1805P-BYU5	52	FCM2-1808P-BYU5
FCM1-1805P-SYU5	54	FCM2-1808P-SYU5
FCM1-1805N-SYU5	53	FCM2-1808N-SYU5
FCM1-1805C-AYU5	48	FCM2-1808C-AYU5
FCM1-1805C-BYU5	80	FCM2-1808C-BYU5
HCM1-1805N-AYU5	49	HCM2-1808N-AYU5
HCM1-1805N-BYU5	50	HCM2-1808N-BYU5
HCM1-1805P-AYU5	51	HCM2-1808P-AYU5
HCM1-1805P-BYU5	52	HCM2-1808P-BYU5
ICM1-1805N-AYU5	49	ICM2-1808N-AYU5
ICM1-1805N-BYU5	50	ICM2-1808N-BYU5
ICM1-1805P-AYU5	51	ICM2-1808P-AYU5
ICM1-1805P-BYU5	52	ICM2-1808P-BYU5
ICM1-1805P-SYU5	54	ICM2-1808P-SYU5
ICM1-1805N-SYU5	53	ICM2-1808N-SYU5

Please see Page 18 for details and specifications of DC 2-Wire models on this page.	
Approx.159 g	Approx.155 g

M 18	
●	○
5 mm	8 mm
stainless steel or nickel plated brass	
●	

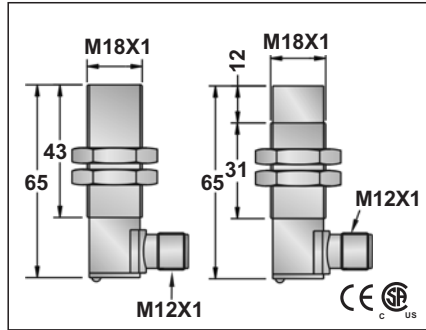


10-30VDC or 5-36VDC or 10-55VDC	
<10%	
<10mA	<20mA
200mA	
<0.01mA	
-	
-	
<1.5V or <1.0V or <2.0V	
1KHZ	500HZ
0.2ms/0.2ms	0.5ms/0.5ms
<15%(Sr)	
<1.0%(Sr)	
IP67	
-25 °C - +70 °C	
<10%(Sr)	
YES	
220mA	
<10ms	
RFI>3V/m / EFT>1KV / ESD>4KV (contact)	
IEC 60947-5-2,Part 7.4.1 / IEC 60947-5-2,Part 7.4.2	
PBT	

FCM1-1805N-AZU4Y	33	FCM2-1808N-AZU4Y
FCM1-1805N-BZU4Y	34	FCM2-1808N-BZU4Y
FCM1-1805P-AZU4Y	35	FCM2-1808P-AZU4Y
FCM1-1805P-BZU4Y	36	FCM2-1808P-BZU4Y
FCM1-1805P-SZU4Y	38	FCM2-1808P-SZU4Y
FCM1-1805N-SZU4Y	37	FCM2-1808N-SZU4Y
FCM1-1805C-AZU4Y	40	FCM2-1808C-AZU4Y
FCM1-1805C-BZU4Y	78	FCM2-1808C-BZU4Y
HCM1-1805N-AZU4Y	33	HCM2-1808N-AZU4Y
HCM1-1805N-BZU4Y	34	HCM2-1808N-BZU4Y
HCM1-1805P-AZU4Y	35	HCM2-1808P-AZU4Y
HCM1-1805P-BZU4Y	36	HCM2-1808P-BZU4Y
ICM1-1805N-AZU4Y	33	ICM2-1808N-AZU4Y
ICM1-1805N-BZU4Y	34	ICM2-1808N-BZU4Y
ICM1-1805P-AZU4Y	35	ICM2-1808P-AZU4Y
ICM1-1805P-BZU4Y	36	ICM2-1808P-BZU4Y
ICM1-1805P-SZU4Y	38	ICM2-1808P-SZU4Y
ICM1-1805N-SZU4Y	37	ICM2-1808N-SZU4Y

FCM*.****.*Z**Y Z= 7/8-16UN2A R=M12x1	
Approx.251 g	Approx.283 g

M 18	
●	○
5 mm	8 mm
stainless steel or nickel plated brass	
●	



10-30VDC or 5-36VDC or 10-55VDC	
<10%	
<10mA	<20mA
200mA	
<0.01mA	
-	
-	
<1.5V or <1.0V or <2.0V	
1KHZ	500HZ
0.2ms/0.2ms	0.5ms/0.5ms
<15%(Sr)	
<1.0%(Sr)	
IP67	
-25 °C - +70 °C	
<10%(Sr)	
YES	
220mA	
<10ms	
RFI>3V/m / EFT>1KV / ESD>4KV (contact)	
IEC 60947-5-2,Part 7.4.1 / IEC 60947-5-2,Part 7.4.2	
PBT	

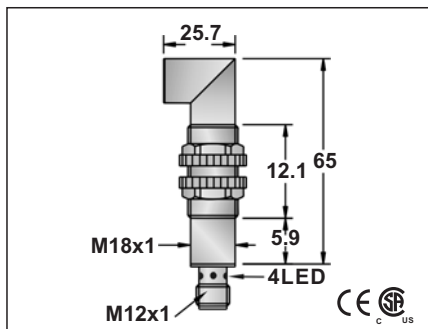
FCM1-1805N-ARU4Y	33	FCM2-1808N-ARU4Y
FCM1-1805N-BRU4Y	34	FCM2-1808N-BRU4Y
FCM1-1805P-ARU4Y	35	FCM2-1808P-ARU4Y
FCM1-1805P-BRU4Y	36	FCM2-1808P-BRU4Y
FCM1-1805P-SRU4Y	38	FCM2-1808P-SRU4Y
FCM1-1805N-SRU4Y	37	FCM2-1808N-SRU4Y
FCM1-1805C-ARU4Y	40	FCM2-1808C-ARU4Y
FCM1-1805C-BRU4Y	78	FCM2-1808C-BRU4Y
HCM1-1805N-ARU4Y	33	HCM2-1808N-ARU4Y
HCM1-1805N-BRU4Y	34	HCM2-1808N-BRU4Y
HCM1-1805P-ARU4Y	35	HCM2-1808P-ARU4Y
HCM1-1805P-BRU4Y	36	HCM2-1808P-BRU4Y
ICM1-1805N-ARU4Y	33	ICM2-1808N-ARU4Y
ICM1-1805N-BRU4Y	34	ICM2-1808N-BRU4Y
ICM1-1805P-ARU4Y	35	ICM2-1808P-ARU4Y
ICM1-1805P-BRU4Y	36	ICM2-1808P-BRU4Y
ICM1-1805P-SRU4Y	38	ICM2-1808P-SRU4Y
ICM1-1805N-SRU4Y	37	ICM2-1808N-SRU4Y

1. Voltage Drop:<1.5V(10-30V),<1V(5-36V), <2V(10-55V).	
2. 10-55V type: no load current < 20mA.	
Approx.94 g	Approx.91 g

Note:
Coming Soon : Part numbers with underline

DC INDUCTIVE PROXIMITY SWITCH CONNECTOR TYPE

M 18	
●	○
5 mm	8 mm
stainless steel or nickel plated brass	
●	

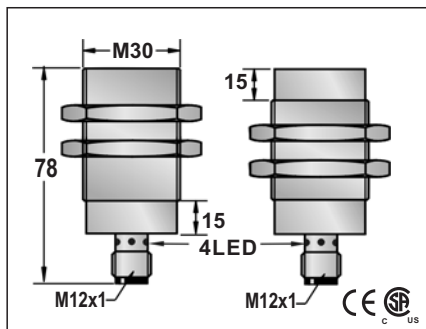


10-30VDC or 5-36VDC or 10-55VDC	
<10%	
<10mA	<20mA
200mA	
<0.01mA	
-	
-	
<1.5V or <1.0V or <2.0V	
1KHZ	500HZ
0.2ms/0.2ms	0.5ms/0.5ms
<15%(Sr)	
<1.0%(Sr)	
IP67	
-25°C - +70°C	
<10%(Sr)	
YES	
220mA	
<10ms	
RFI>3V/m / EFT>1KV / ESD>4KV (contact)	
IEC 60947-5-2, Part 7.4.1 / IEC 60947-5-2, Part 7.4.2	
PBT	

FCM1-1805N-ARU4Z	33	FCM2-1808N-ARU4Z
FCM1-1805N-BRU4Z	34	FCM2-1808N-BRU4Z
FCM1-1805P-ARU4Z	35	FCM2-1808P-ARU4Z
FCM1-1805P-BRU4Z	36	FCM2-1808P-BRU4Z
FCM1-1805P-SRU4Z	38	FCM2-1808P-SRU4Z
FCM1-1805N-SRU4Z	37	FCM2-1808N-SRU4Z
FCM1-1805C-ARU4Z	40	FCM2-1808C-ARU4Z
FCM1-1805C-BRU4Z	78	FCM2-1808C-BRU4Z
HCM1-1805N-ARU4Z	33	HCM2-1808N-ARU4Z
HCM1-1805N-BRU4Z	34	HCM2-1808N-BRU4Z
HCM1-1805P-ARU4Z	35	HCM2-1808P-ARU4Z
HCM1-1805P-BRU4Z	36	HCM2-1808P-BRU4Z
ICM1-1805N-ARU4Z	33	ICM2-1808N-ARU4Z
ICM1-1805N-BRU4Z	34	ICM2-1808N-BRU4Z
ICM1-1805P-ARU4Z	35	ICM2-1808P-ARU4Z
ICM1-1805P-BRU4Z	36	ICM2-1808P-BRU4Z
ICM1-1805P-SRU4Z	38	ICM2-1808P-SRU4Z
ICM1-1805N-SRU4Z	37	ICM2-1808N-SRU4Z

Approx.94 g		Approx.91 g	
-------------	--	-------------	--

M 30	
●	○
10 mm	15 mm
stainless steel or nickel plated brass	
●	



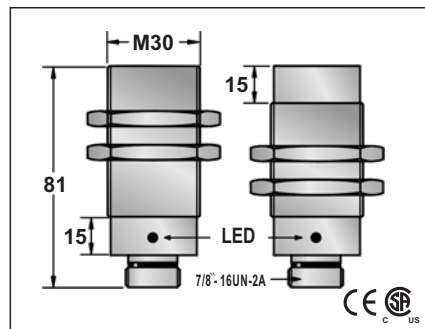
10-30VDC or 5-36VDC or 10-55VDC	
<10%	
<10mA	<20mA
200mA	
<0.01mA	
-	
-	
<1.5V or <1.0V or <2.0V	
300HZ	150HZ
0.5ms/0.5ms	1ms/1ms
<15%(Sr)	
<1.0%(Sr)	
IP67	
-25°C - +70°C	
<10%(Sr)	
YES	
220mA	
<10ms	
RFI>3V/m / EFT>1KV / ESD>4KV (contact)	
IEC 60947-5-2, Part 7.4.1 / IEC 60947-5-2, Part 7.4.2	
PBT	

FCM1-3010N-ARU4	33	FCM2-3015N-ARU4
FCM1-3010N-BRU4	34	FCM2-3015N-BRU4
FCM1-3010P-ARU4	35	FCM2-3015P-ARU4
FCM1-3010P-BRU4	36	FCM2-3015P-BRU4
FCM1-3010P-SRU4	38	FCM2-3015P-SRU4
FCM1-3010N-SRU4	37	FCM2-3015N-SRU4
FCM1-3010C-ARU4	40	FCM2-3015C-ARU4
FCM1-3010C-BRU4	78	FCM2-3015C-BRU4
HCM1-3010N-ARU4	33	HCM2-3015N-ARU4
HCM1-3010N-BRU4	34	HCM2-3015N-BRU4
HCM1-3010P-ARU4	35	HCM2-3015P-ARU4
HCM1-3010P-BRU4	36	HCM2-3015P-BRU4
ICM1-3010N-ARU4	33	ICM2-3015N-ARU4
ICM1-3010N-BRU4	34	ICM2-3015N-BRU4
ICM1-3010P-ARU4	35	ICM2-3015P-ARU4
ICM1-3010P-BRU4	36	ICM2-3015P-BRU4
ICM1-3010P-SRU4	38	ICM2-3015P-SRU4
ICM1-3010N-SRU4	37	ICM2-3015N-SRU4

Approx.187 g		Approx.179 g	
--------------	--	--------------	--

Please see Page 18 for details and specifications of DC 2-Wire models on this page.

M 30	
●	○
10 mm	15 mm
stainless steel or nickel plated brass	
●	



10-30VDC or 5-36VDC or 10-55VDC	
<10%	
<10mA	<20mA
200mA	
<0.01mA	
-	
-	
<1.5V or <1.0V or <2.0V	
0.5ms/0.5ms	1ms/1ms
300HZ	150HZ
<15%(Sr)	
<1.0%(Sr)	
IP67	
-25°C - +70°C	
<10%(Sr)	
YES	
220mA	
<10ms	
RFI>3V/m / EFT>1KV / ESD>4KV (contact)	
IEC 60947-5-2, Part 7.4.1 / IEC 60947-5-2, Part 7.4.2	
PBT	

FCM1-3010N-AZU4	41	FCM2-3015N-AZU4
FCM1-3010N-BZU4	42	FCM2-3015N-BZU4
FCM1-3010P-AZU4	43	FCM2-3015P-AZU4
FCM1-3010P-BZU4	44	FCM2-3015P-BZU4
FCM1-3010P-SZU4	46	FCM2-3015P-SZU4
FCM1-3010N-SZU4	45	FCM2-3015N-SZU4
FCM1-3010C-AZU4	47	FCM2-3015C-AZU4
FCM1-3010C-BZU4	79	FCM2-3015C-BZU4
HCM1-3010N-AZU4	41	HCM2-3015N-AZU4
HCM1-3010N-BZU4	42	HCM2-3015N-BZU4
HCM1-3010P-AZU4	43	HCM2-3015P-AZU4
HCM1-3010P-BZU4	44	HCM2-3015P-BZU4
ICM1-3010N-AZU4	41	ICM2-3015N-AZU4
ICM1-3010N-BZU4	42	ICM2-3015N-BZU4
ICM1-3010P-AZU4	43	ICM2-3015P-AZU4
ICM1-3010P-BZU4	44	ICM2-3015P-BZU4
ICM1-3010P-SZU4	46	ICM2-3015P-SZU4
ICM1-3010N-SZU4	45	ICM2-3015N-SZU4

Approx.187 g		Approx.179 g	
--------------	--	--------------	--

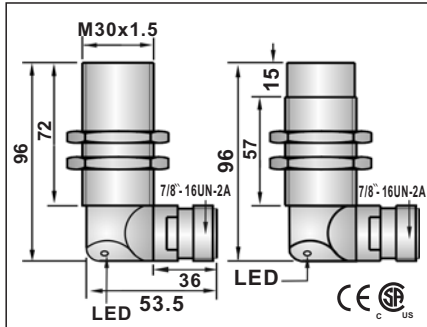
1. Voltage Drop:<1.5V(10-30V),<1V(5-36V), <2V(10-55V).
2. 10-55V type: no load current < 20mA.

M30、Q25x50x10

DC INDUCTIVE PROXIMITY SWITCH CONNECTOR TYPE

DC INDUCTIVE PROXIMITY SWITCH CONNECTOR TYPE

M 30	
●	○
10 mm	15 mm
stainless steel or nickel plated brass	
●	



10-30VDC or 5-36VDC or 10-55VDC	
<10%	
<10mA	<20mA
200mA	
<0.01mA	
-	
<1.5V or <1.0V or <2.0V	
0.5ms/0.5ms	1ms/1ms
300HZ	150HZ
<15%(Sr)	
<1.0%(Sr)	
IP67	
-25°C - +70°C	
<10%(Sr)	
YES	
220mA	
<10ms	
RFI>3V/m / EFT>1KV / ESD>4KV (contact)	
IEC 60947-5-2,Part 7.4.1 / IEC 60947-5-2,Part 7.4.2	
PBT	

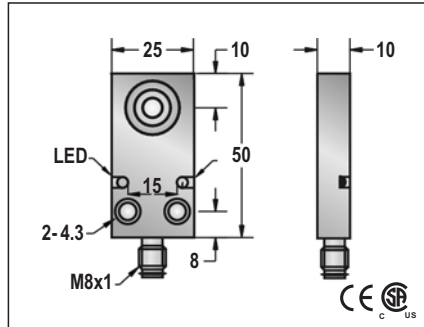
FCM1-3010N-AZU4Y	41	FCM2-3015N-AZU4Y	41
FCM1-3010N-BZU4Y	42	FCM2-3015N-BZU4Y	42
FCM1-3010P-AZU4Y	43	FCM2-3015P-AZU4Y	43
FCM1-3010P-BZU4Y	44	FCM2-3015P-BZU4Y	44
FCM1-3010P-SZU4Y	46	FCM2-3015P-SZU4Y	46
FCM1-3010N-SZU4Y	45	FCM2-3015N-SZU4Y	45
FCM1-3010C-AZU4Y	47	FCM2-3015C-AZU4Y	47
FCM1-3010C-BZU4Y	79	FCM2-3015C-BZU4Y	79
HCM1-3010N-AZU4Y	41	HCM2-3015N-AZU4Y	41
HCM1-3010N-BZU4Y	42	HCM2-3015N-BZU4Y	42
HCM1-3010P-AZU4Y	43	HCM2-3015P-AZU4Y	43
HCM1-3010P-BZU4Y	44	HCM2-3015P-BZU4Y	44
ICM1-3010N-AZU4Y	41	ICM2-3015N-AZU4Y	41
ICM1-3010N-BZU4Y	42	ICM2-3015N-BZU4Y	42
ICM1-3010P-AZU4Y	43	ICM2-3015P-AZU4Y	43
ICM1-3010P-BZU4Y	44	ICM2-3015P-BZU4Y	44
ICM1-3010P-SZU4Y	46	ICM2-3015P-SZU4Y	46
ICM1-3010N-SZU4Y	45	ICM2-3015N-SZU4Y	45

1. voltage drop:<1.5V(10-30V),<1V(5-36V), <2V(10-55V).
2. 10-55V type: No Load Current <20mA.

Approx.311 g	Approx.356 g
--------------	--------------

Note:
Coming Soon : Part numbers with underline

Q25x50x10	
●	
5 mm	
die-cast	
●	



10-30VDC or 5-36VDC or 10-55VDC	
<10%	
<10mA	<20mA
200mA	
<0.01mA	
-	
<1.5V or <1.0V or <2.0V	
1KHZ	
0.2ms/0.2ms	
<15%(Sr)	
<1.0%(Sr)	
IP67	
-25°C - +70°C	
<10%(Sr)	
YES	
220mA	
<10ms	
RFI>3V/m / EFT>1KV / ESD>4KV (contact)	
IEC 60947-5-2,Part 7.4.1 / IEC 60947-5-2,Part 7.4.2	
POM	

FQM1-2505N-ACU3T	29
FQM1-2505N-BCU3T	29
FQM1-2505P-ACU3T	30
FQM1-2505P-BCU3T	30
FQM1-2505P-SCU4T	32
FQM1-2505N-SCU4T	31
FQM1-2505C-ACU3T	39
FQM1-2505C-BCU3T	77
HQM1-2505N-ACU3T	29
HQM1-2505N-BCU3T	29
HQM1-2505P-ACU3T	30
HQM1-2505P-BCU3T	30
IQM1-2505N-ACU3T	29
IQM1-2505N-BCU3T	29
IQM1-2505P-ACU3T	30
IQM1-2505P-BCU3T	30
IQM1-2505P-SCU4T	32
IQM1-2505N-SCU4T	31

Please see Page 18 for details and specifications of DC 2-Wire models on this page.

Approx.61 g
